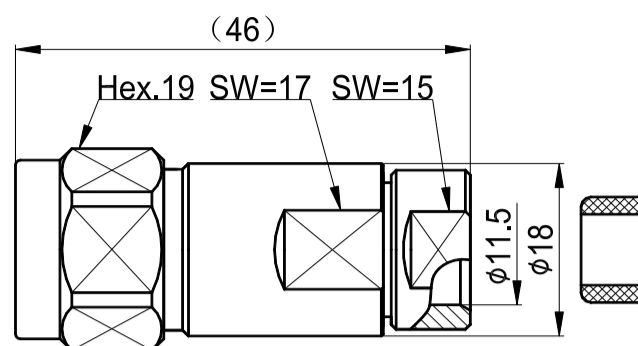


Product Specification

NM-3/8”H



N Straight Male Connector for 3/8" Super Flexible RF Cable

ID: 2.4.05.11.01(A)

CO380008 Rev: A0

*The above picture is only for reference, we may change the appearance design in order to enhance performance without notification.

Material and Plating

Inner Conductor	Tin Bronze / Silver Plating
Body & Outer Conductor	Brass / Trimetal Plating
Insulator	PTFE/TPX
Gasket	Silicon Rubber
Nut	Brass/Nickel Plating

Electrical Specifications

Characteristics Impedance	50 Ohm	
Frequency Range	DC~3.0GHz	
Insulation Resistance	≥5000MΩ	
Dielectric Withstanding Voltage	2500V rms	
Operating Voltage	1500V rms	
Center contact resistance	≤1.0 mΩ	
Outer contact resistance	≤0.25 mΩ	
Insertion Loss	@DC-2.7 GHz	≤0.10dB
VSWR	@0.8-1.0 GHz	≤1.10
	@1.7-2.7 GHz	≤1.13
PIM3(2*43dBm)	@1800MHz	≤-150dBc

Environmental & Mechanical Specifications

Durability (matings)	≥500 cycles
Mechanical Shock Test Method	MIL-STD-202, Method 213, Test Condition D
Vibration Test Method	MIL-STD-202, Meth. 204, Cond. A
Temperature Range	-65°C to +85°C
RoHS	Compliant
Sealing Class	IP67

Regulatory Compliance / Certification

ISO 9001:2015	Compliant
---------------	-----------

The facts and figures contained herein are carefully compiled to the best of our knowledge, but they are intended for general informational purposes only.