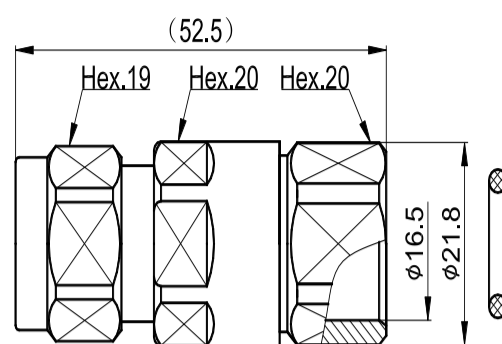


Product Specification

NM-1/2"L



N Straight male Connector for 1/2" Flexible RF Cable

ID: 2.4.11.11.12(01L)

CO121008 Rev: A0

*The above picture is only for reference, we may change the appearance design in order to enhance performance without notification.

Material and Plating

Inner Conductor	Brass / Silver Plating
Body & Outer Conductor	Brass / Trimetal Plating
Insulator	PTFE/TPX
Gasket	Silicon Rubber
Nut	Brass/Trimetal Plating

Electrical Specifications

Characteristics Impedance	50 Ohm	
Frequency Range	DC~11GHz	
Insulation Resistance	≥5000MΩ	
Dielectric Withstanding Voltage	2500V rms	
Operating Voltage	1500V rms	
Center contact resistance	≤1.00 mΩ	
Outer contact resistance	≤0.25 mΩ	
Insertion Loss	@DC-2.7 GHz	≤0.10dB
VSWR	@0.8-1.0 GHz	≤1.08
	@1.7-2.7 GHz	≤1.10
PIM3(2*43dBm)	@1800MHz	≤-155dBc

Environmental & Mechanical Specifications

Durability (matings)	≥500 cycles
Mechanical Shock Test Method	MIL-STD-202, Method 213, Test Condition D
Vibration Test Method	MIL-STD-202, Meth. 204, Cond. A
Temperature Range	-45°C to +85°C
RoHS	Compliant
Sealing Class	IP68 24hr, 1m, 20°C

Regulatory Compliance / Certification

ISO 9001:2015	Compliant
---------------	-----------

The facts and figures contained herein are carefully compiled to the best of our knowledge, but they are intended for general informational purposes only.