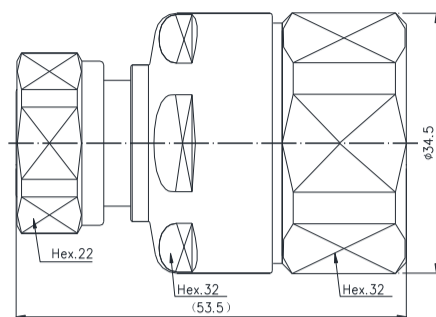


# Product Specification

4310M-7/8”L



4.3-10 Straight male Connector for 7/8" Flexible RF Cable

ID: 2.4.15.81.01(01L)

CO781005 Rev: A0

\*The above picture is only for reference, we may change the appearance design in order to enhance performance without notification.

## Material and Plating

|                        |                          |
|------------------------|--------------------------|
| Inner Conductor        | Brass / Silver Plating   |
| Body & Outer Conductor | Brass / Trimetal Plating |
| Insulator              | PTFE/TPX                 |
| Gasket                 | Silicon Rubber           |
| Nut                    | Brass / Trimetal Plating |

## Electrical Specifications

|                                 |              |          |
|---------------------------------|--------------|----------|
| Characteristics Impedance       | 50 Ohm       |          |
| Frequency Range                 | DC~6GHz      |          |
| Insulation Resistance           | ≥5000MΩ      |          |
| Dielectric Withstanding Voltage | 2500V rms    |          |
| Operating Voltage               | 1400V rms    |          |
| Center contact resistance       | ≤1.0mΩ       |          |
| Outer contact resistance        | ≤0.6 mΩ      |          |
| Insertion Loss                  | @DC-2.7 GHz  | ≤0.10dB  |
| VSWR                            | @0.8-1.0 GHz | ≤1.08    |
|                                 | @1.7-2.7 GHz | ≤1.10    |
| PIM3(2*43dBm)                   | @1800MHz     | ≤-160dBc |

## Environmental & Mechanical Specifications

|                              |   |
|------------------------------|---|
| Durability (matings)         | ≥500 cycles                               |
| Mechanical Shock Test Method | MIL-STD-202, Method 213, Test Condition D |
| Vibration Test Method        | MIL-STD-202, Meth. 204, Cond. A           |
| Temperature Range            | -65°C to +85°C                            |
| RoHS                         | Compliant                                 |
| Sealing Class                | IP68 24hr, 1m, 20°C                       |

## Regulatory Compliance / Certification

|               |           |
|---------------|-----------|
| ISO 9001:2015 | Compliant |
|---------------|-----------|

The facts and figures contained herein are carefully compiled to the best of our knowledge, but they are intended for general informational purposes only.